

PTZ Camera Series

Featuring
Northern Lights
Technology



PTZWP12X
Indoor or Outdoor
Configuration



PTZWP12X
Indoor Only
Configuration



PTZWP27X

PTZWP37X

PTZWP12X

12X Indoor/Outdoor Mini PTZ
600 Lines Color, 680 Lines B/W

PRODUCT FEATURES

- ◆ Sense-up 128X
- ◆ Wall and Ceiling Mounts Included
- ◆ Built In Fan & Heater
- ◆ 12X Optical Zoom w/ 16X Digital Zoom
- ◆ Mechanical IR Cut Filter
- ◆ True Day/Night Operation
- ◆ OSD Control of All Major Functions
- ◆ Pelco P&D Protocols
- ◆ RS-485 Control
- ◆ 127 Presets, 8 Groups 4 Patterns, 8 Autoscans
- ◆ 12 Volt DC Power Supply Included
- ◆ IP 66 Weatherproof Rating

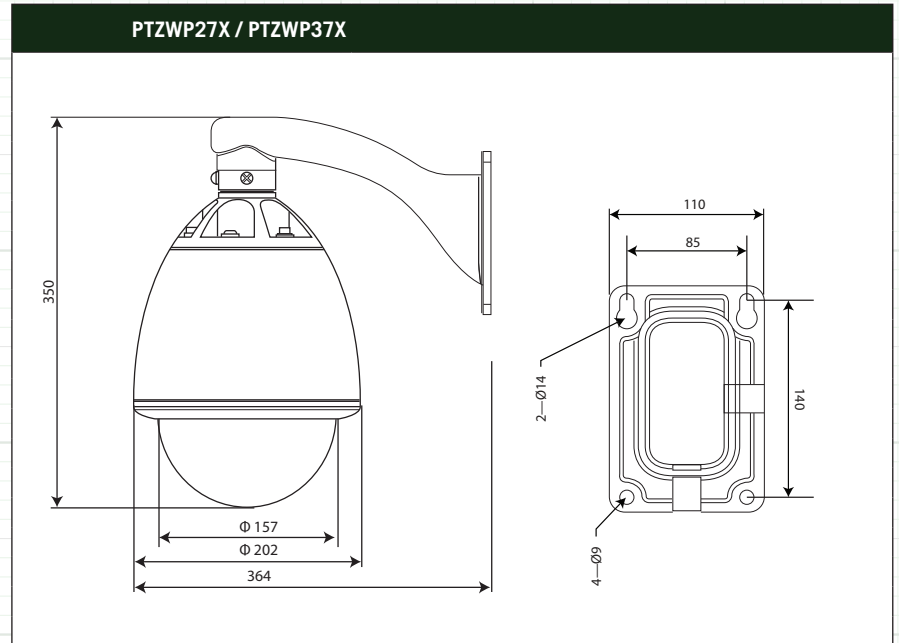
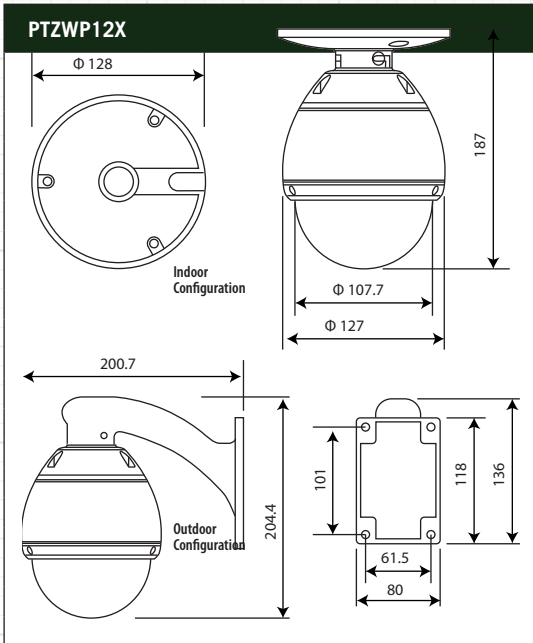
PTZWP27X / PTZWP37X

27X & 37X Outdoor PTZ
600 Lines Color, 680 Lines B/W

PRODUCT FEATURES

- ◆ Built In Fan & Heater
- ◆ Digital Wide Dynamic Range
- ◆ Sense-up 512X
- ◆ 27X or 37X Optical Zoom w/ 16X Digital Zoom
- ◆ Mechanical IR Cut Filter
- ◆ True Day/Night Operation
- ◆ OSD Control of All Major Functions
- ◆ Pelco P&D Protocols
- ◆ RS-485 Control
- ◆ 220 Presets, 8 Groups, 8 Patterns & 8 Autoscans
- ◆ Wall Mount Included
- ◆ 24 Volt AC Power Supply Included
- ◆ IP 66 Weatherproof Rating

PTZ Camera Dimensions



PTZ Controllers

PTZKBD2

Compact 2-Axis PTZ Controller

- ◆ 2-Axis Joystick
- ◆ Controls Up to 32 PTZ's
- ◆ Pelco P&D Protocols
- ◆ RS-485 Control
- ◆ 12 Volt DC Power Included



PTZKBD2



PTZKBD3

PTZKBD3

Full Size 3-Axis PTZ Controller

- ◆ 3-Axis Joystick
- ◆ Controls up to 32 PTZ's
- ◆ Pelco P&D Protocols
- ◆ RS-485 Control
- ◆ 12 Volt DC Power Included

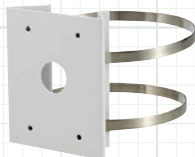
SPECIFICATIONS	PTZKBD2	PTZKBD3
For Use With	All Functions of Speed Dome Cameras	
Baud Rate	2400, 4800, 9600 Bps	
Signal	RS-485 Multi-Port, Half-Duplex	
Transmission Distance	1,200 Meters Max	
RS-485	RJ-45 Connector	Terminal Block & RJ-45 Connector
Joystick Control	2-Axis	3-Axis
Power Consumption	0.8W	3W
Input Voltage	12 Volts DC	
Dimensions W x H x D	5.2" x 7.5" x 2.5"	13" x 7.5" x 1.7"
Weight	1.2 Lb	2.5 Lb
Operating Temp.	32°F ~ 104°F	

PTZ Series Accessories

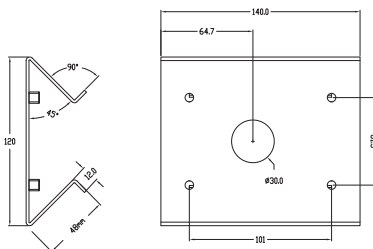
PTZPOLE12X

Pole Mount Adapter for PTZWP12X

[fits 5"~7" Diameter poles w/included straps]



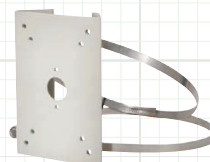
PTZPOLE12X — LINE ART / MOUNTING CONFIG



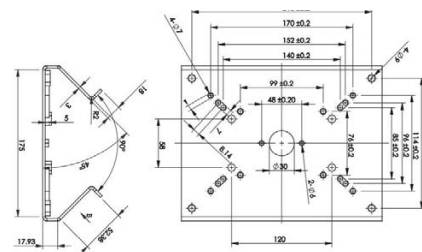
PTZPOLE237X

Pole Mount Adapter for PTZWP27/37X

[fits 8"~11" Diameter poles w/included straps]

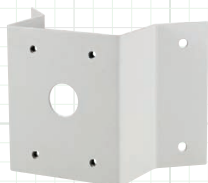


PTZPOLE237X — LINE ART / MOUNTING CONFIG

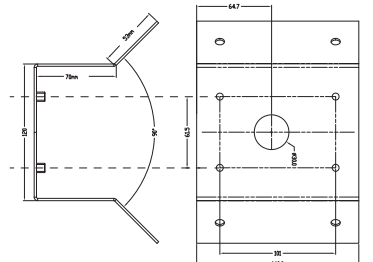


PTZCORNER12X

Outside Corner Mount for PTZWP12X

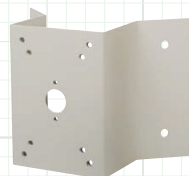


PTZCORNER12X — LINE ART / MOUNTING CONFIG

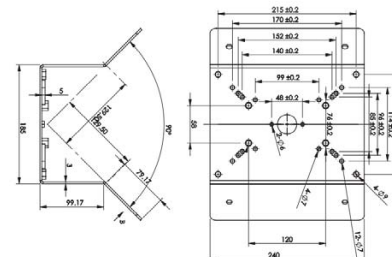


PTZCORNER237X

Outside Corner Mount for PTZWP27/37X



PTZCORNER237X — LINE ART / MOUNTING CONFIG

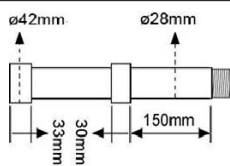


PTZPEND12X

15" Pendant Drop Down for PTZWP12X

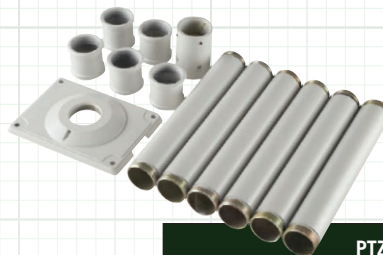


PTZPEND12X — LINE ART / MOUNTING CONFIG

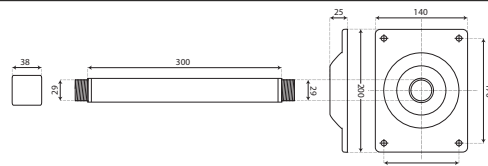


PTZPEND237X

6' Pendant Drop Down for PTZWP27/37X



PTZPEND237X — LINE ART / MOUNTING CONFIG



PTZ Series Specifications

SPECIFICATIONS	PTZWP12X	PTZWP27X	PTZWP37X
Type	Indoor / Outdoor 12X	Outdoor 27X	Outdoor 37X
Video Signal System	NTSC		
CCD	1/4" Interline Transfer CCD		
Effective Pixels	768 (H) X 494 (V)		
Horizontal Res.	600 Lines(Color), 680 Lines (B/W)		
Video Output	1Vp-p Composite Video (75 OHM)		
S/N Ratio	52 dB		
Digital Zoom	16X		
Min. Illumination	0.2 Lux Color / 0.02 Lux B/W		
Zoom Module	SCM-2120	SCM-2270	SCM2370
Optical Zoom	12X	27X	37X
Focal length	3.94mm ~ 46.05mm (F = 1.6~1.8)	3.5mm ~ 95mm (F = 1.6 ~ 2.8)	3.5mm ~ 129.5mm (F = 1.6 ~ 3.9)
Day & Night	Auto / Day (Color) / Night (ICR, B/W)	Auto / BW / Color	
Focus	Auto / Manual / Semi Auto	Auto / Manual	
Iris	Auto / Manual / Semi Auto	Auto / Manual	
Shutter	NTSC: 1/60 ~ 1/120000 sec	NTSC: 1/60 ~ 1/120000 sec	
AGC	Low / Middle / High / Off	OFF / LOW / MIDDLE / HIGH / MANUAL	
White Balance	Auto / Manual (Red, Blue Gain Adjustable)	ATW / AWC / INDOOR / OUTDOOR / MANUAL	
BLC	Normal / High / Off	ON/OFF	
SSNR UP	ON/OFF	ON/OFF	
SSNR	Low / Middle / High / Off	Low, Middle, High, Off	
SSNR Pan/Tilt Speed	Pan : 360° (Continuous)	Pan : 360° (Continuous)	
	Tilt : 180° (Auto-Flip), 95°(Normal)	90° (Normal)	
Preset	Go to Preset Speed: 1~300°/sec	Go to Preset Speed: 500°/sec	
	Manual : 0.05~300°/sec	Pan:0.01°~300°/S Tilt:0.01°~150°/S	
	127 Preset	220 Preset	
Pattern	4 Pattern, 1200 commands /Pattern	8 Pattern, 180 Second Memory (300 commands)	
Group	8 Group (20 action entities per Group)	8 Group (32 action entities per Group)	
Auto Scan	Scan Speed 1~250 , Tilt angle optional	Yes	
Direction	INVERSE / NORMAL	No	
Swing	8 Swing (Autoscan)		
Auto Flip/Auto Parking	Yes		
Communication	RS-485		
Protocol	Pelco-D, Pelco-P		
Privacy Zone	8 Zone	1 Zone	
Alarm Input	4 Input	6 Input	
OSD	Menu / PTZ INFORMATION		
Fan and Heater	Yes	Yes	
Required Power	12V DC / 1.1A	24V AC / 2.1A	
Dimension	190 x 190 x 144 mm	364 x 350 x 202mm	
Weight	5.7lb	12.4lb	12.4lb
Operating Temp.	-14°F ~ 122°F	-31°F ~ 140°F	-31°F ~ 140°F
Weather Proof Rating	IP66		

Note: Specification subject to change without notice