

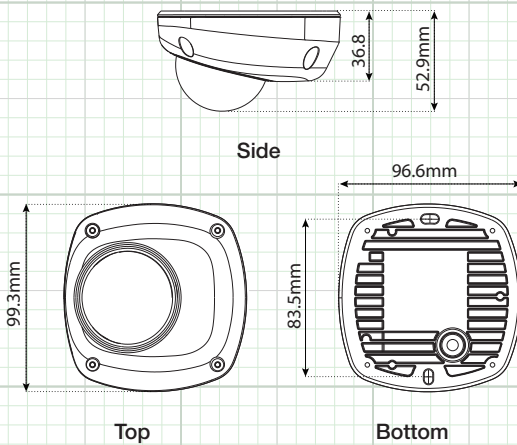
4.0 Megapixel IP, True WDR, Outdoor IR Wedge Camera POE, Full HD 1080P, 2.8mm IR Lens, 30' IR, IP66

**4MP
IP-POE**

FEATURES:

- ◆ Full HD 1080p Real Time Video
- ◆ True Wide Dynamic Range - 120dB
- ◆ Up to 2688 x 1520 Resolution (20FPS)
- ◆ 2.8mm Wide Angle IR Lens
- ◆ POE - Power over Ethernet
- ◆ Free CMS & IP Server Software
- ◆ SD Card Slot (Card Sold Separately)
- ◆ 3D Digital Noise Reduction
- ◆ Mechanical IR Cut Filter
- ◆ 10 IR LED's - 30' IR Range
- ◆ ONVIF / PSIA / CGI Compliant
- ◆ Built-In Mic & Alarm I/O
- ◆ IP66 Weatherproof
- ◆ UL/CUL Certified

CAMERA OVERVIEW:



	SPECIFICATION	IP4W
CAMERA	Image Sensor	1/3" Progressive Scan CMOS
	Minimum Illumination	0.01 lux@ F1.2, AGC on / 0 lux with IR
	IRLED Count / Range / Nanometer	10 IR LED's / 30' Range / 850nm
	Shutter Time	1/3 s to 1/10,000 s
	Lens (IR Corrective)	2.8mm@F2.0, angle of view: 106°
	Lens Mount	M12
	Camera Angle Adjustment	Pan: ±30°, tilt: 0~75°, rotation: 0~360°
	Day & Night	Yes - IR Filter with Auto Switch
	DNR (Digital Noise Reduction)	3D DNR
	True Wide Dynamic Range	120dB WDR
COMPRESSION	BLC (Backlight Compensation)	Yes, Zone Configurable
	On-board storage	Built-in Micro SD/SDHC/SDXC card slot, up to 128GB
	Smart Analytic Features	Line crossing detection, intrusion detection
	Region of Interest	Yes
	Video Compression	H.264 / MJPEG / H.264+
	H.264 Codec Profile / Bit Rate	Main Profile / 32 Kbps ~ 16 Mbps
	Dual Streaming	Yes
	Audio Compression	G.711/G.722.1/G.726/MP2L2
	Audio Bit Rate	64 Kbps (G.711)/16 Kbps (G.722.1)/16 Kbps (G.726)/32 to 128 Kbps (MP2L2)
	IMAGE	Maximum Image Resolution
Frame Rate		20fps (2688 x 1520), 30fps (1920 x 1080, 1280 x 720)
Image settings		Compression, Color, Saturation, Brightness, Contrast, Sharpness, Rotate Mode, Privacy Mask
Network Storage		NAS (supports NFS, SMB/CIFS), ANR
NETWORK	Alarm Trigger	Motion Detection, Line Crossing Detection, Intrusion Detection, Tamper Alarm, Network Disconnect, IP Address Conflict, Storage Exception
	Protocols	TCP/IP, UDP, ICMP, HTTP, HTTPS, FTP, DHCP, DNS, DDNS, RTP, RTSP, RTCP, PPPoE, NTP, UPnP, SMTP, SNMP, IGMP, 802.1X, QoS, IPv6, Bonjour
	System Compatibility	ONVIF (PROFILE S, PROFILE G), PSIA, CGI, ISAPI
	Security Functions	Three level user authentication, password authorization, HTTPS and SSH certificate, IEEE802.1X, basic and digest authentication, watermark, IP address filtering, log-in lockout
INTERFACE	Communication Interface	1 RJ45 10M / 100M Ethernet port
	Alarm Interface	1x Alarm I/O - Bare Lead
	Audio Interface	Built-In Mic / Audio Line Out for 2-Way Audio Only - Bare Lead
	Operating Conditions	-30°C ~ 60°C (-22°F ~ 140°F) humidity 95% or less (non-condensing)
GENERAL	Housing Color	White
	Housing Material	Heavy Duty Aluminum Body/ Plastic Cover
	Power Supply	12 VDC ± 10%, PoE (802.3af)
	Power Consumption	Max. 5W with IR on
	Weatherproof Rating	IP66
	Dimensions	99.9 x 97.5 x 56.5
	Weight	350g (0.78 lbs)
Certifications	UL / CUL	

Note: Specification subject to change without notice

INCLUDED ACCESSORIES:

1. Quick Guide
1. Software Disc
1. Mounting Template & Hardware Packet
1. Mounting Plate
1. L-Style Wrench
1. Camera Positioning Tool