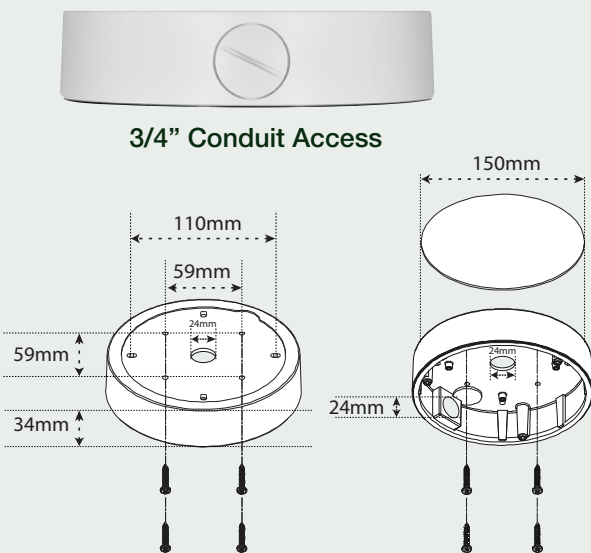


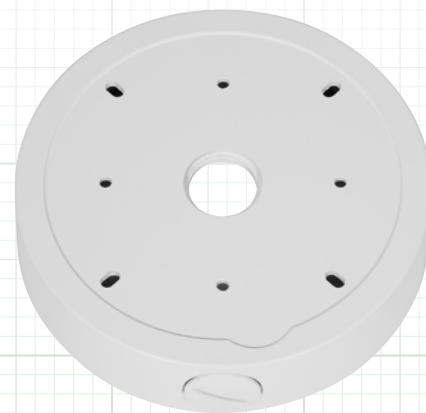
Mounting Accessories

Mounts For DTW Series Dome Cameras

DTWBBW – White Back Box



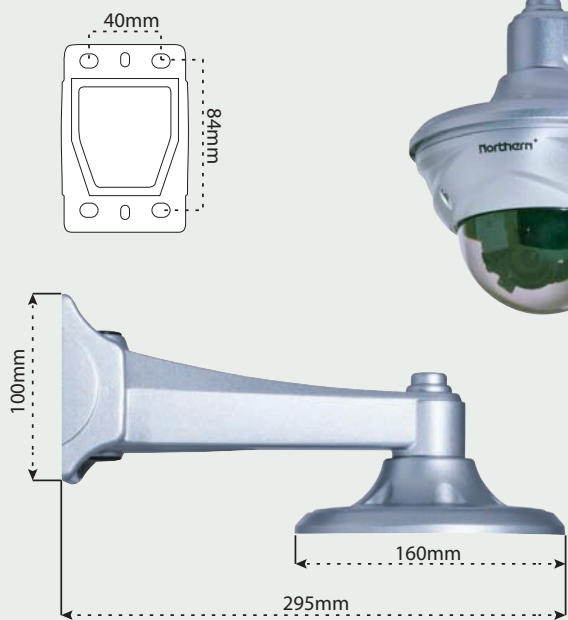
DTWBBW



FEATURES

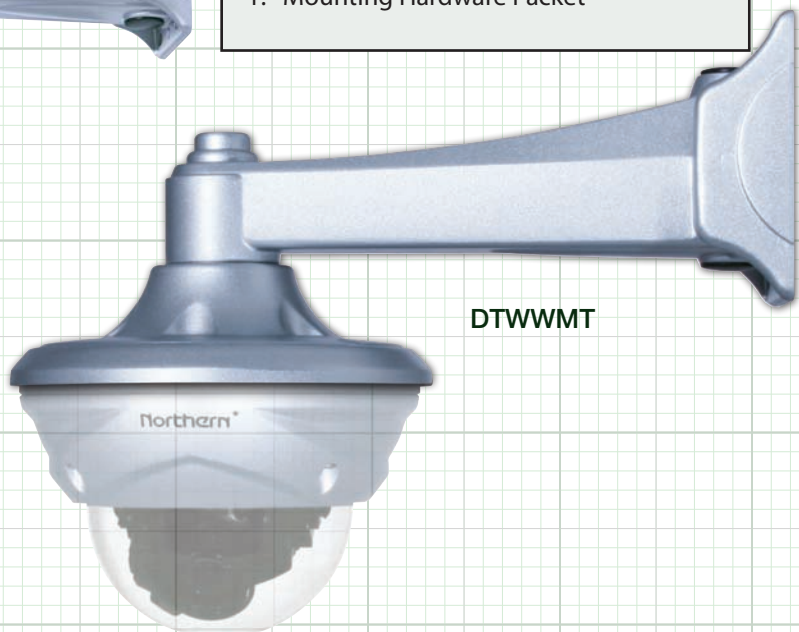
- ◆ Aluminum Construction:
Silver Finish – DTWWMT
White Finish – DTWBBW
- ◆ Dimensions (LxWxH)
295mm x 160mm x 134mm – DTWWMT
150mm x 150mm x 34mm – DTWBBW
- ◆ 3/4" Conduit Access
- ◆ Weight:
2.65Lbs – DTWWMT
1.00Lbs – DTWBBW

DTWWMT – For DTW Series Cameras Only



INCLUDED / ACCESSORIES

1. Mounting Instructions
1. Mounting Hardware Packet



DTWWMT

Note: Specification subject to change without notice