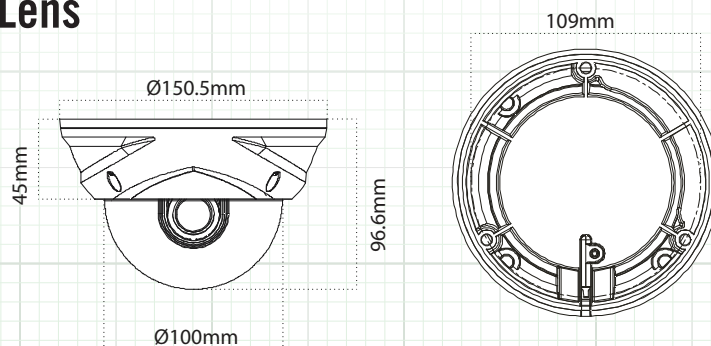


650 Line Weatherproof Tamper Resistant Dome Camera DAY/NIGHT, WDR, DNR, OSD, 2.8~12mm Lens



Dimensions

SPECIFICATION	DTW212H
Image Sensor	1/3" Color Sony Super HAD II CCD
Effective Picture Elements	768 (H) x 494 (V)
Resolution	650 Horizontal TV Lines
OSD (On-screen Display)	Yes (Built-in)
D-WDR (Wide Dynamic Range)	ON / OFF (0 ~ 200)
DNR (Digital Noise reduction)	On / Off
Video Output	1.0Vp-p (Sync, Negative) Termination 75 OHM
Minimum Illumination	0.1Lux (F/1.2)
S/N Ratio	52dB or More (AGC Off, Weight On)
Electronic Shutter	1/60 ~ 1/100,000 sec.
Gain Control	Automatic, Low, Middle, High (Adjustable)
Sync System	2:1 Interlaced, Internal
Gamma	$\gamma = 0.45$ Typ.
Back Light Compensation	BLC / HLC / DWDR (Selectable)
Day / Night	Auto / Color / BW / External
Mirror	On / Off
Test Illuminance Area	Average Test Illuminance by Front View
White Balance	ATW1, ATW2, AWC, Manual
Power Requirement	12VDC/24VAC Dual Voltage Power
Power Consumption	Max. 250mA
Reverse Polarity Protection	Yes
Operation Temperature	-14° ~ 122°F
Lens Type	2.8 ~ 12mm Varifocal Auto Iris Lens
Overall Camera Dimensions	5.93" (W) x 3.76" (H)
Weight	Approx. 1.8lb
Weatherproof Rating	IP68

Note: Specification subject to change without notice

FEATURES

- ◆ 650 Line High Resolution Performance
- ◆ 3-Axis Wall or Ceiling Mountable
- ◆ Tamper Resistant / IP68 Weatherproof
- ◆ Digital Wide Dynamic Range
- ◆ Digital Noise Reduction
- ◆ OSD Control of All Major Functions
- ◆ Day / Night Operation
- ◆ 12VDC/24VAC Dual Voltage Power
- ◆ Adjustable Shutter Speed
- ◆ 2.8-12mm Varifocal Auto Iris Lens
- ◆ Video Test Connector
- ◆ Manual 360° Horizontal Rotation

INCLUDED ACCESSORIES

1. User Manual
1. Mounting Hardware Packet
1. Video Test Cable
1. L-Style Wrench
1. Mounting Template

RECOMMENDED ACCESSORIES

DTWWMT
Outdoor Wall Mount

