

## Back Box for Dome Cameras



**BB130T**

FOR USE WITH THESE Northern<sup>★</sup> CAMERAS:



**IP3T**

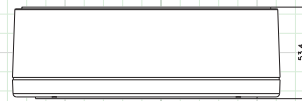
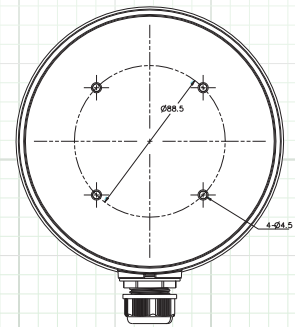
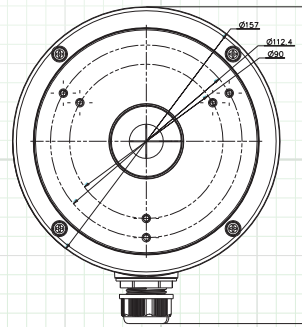


**IP4T**



**TVITIR100**

### MOUNT DIMENSIONS:



### FEATURES:

- ◆ Aluminum Alloy Material with Surface Spray Treatment
- ◆ Waterproof Design

### NOTE:

- ◆ Install box on flat wall.
- ◆ Waterproof rubber is necessary for outdoor application.
- ◆ The wall must be capable of supporting over three times as much as the total weight of the camera and the box.
- ◆ The maximum load capacity of the box is 4.5 kg.

SPECIFICATION	BB130T
Color	White
Application	Back Box for Dome Camera
Construction	Aluminum Alloy
Dimensions	Ø157 mm x 51.5 mm (6.18" x 2.03")
Weight	620 g (21.87 ozs)

Note: Specification subject to change without notice