

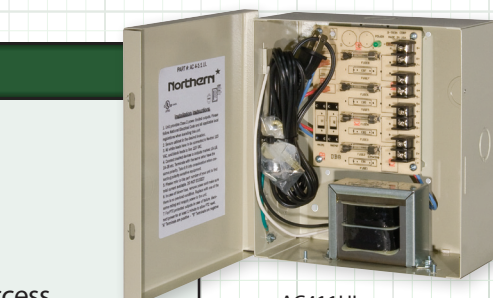
UL Listed, 24 Volt AC Multi-Channel Power Supplies

FEATURES

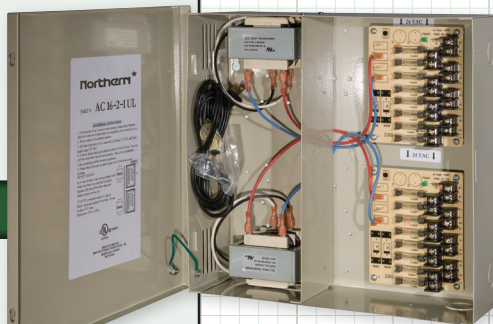
- ◆ Up to 2 amp per Channel Output
- ◆ Replaceable Glass Fuses
- ◆ Heavy Duty Metal Cabinet
- ◆ Removable Front Door for Easy Access
- ◆ LED Indicator
- ◆ Keylock Assembly Included
- ◆ Class II / UL Listed
- ◆ 1/2" - 3/4" Combo Knockouts

INCLUDED ACCESSORIES

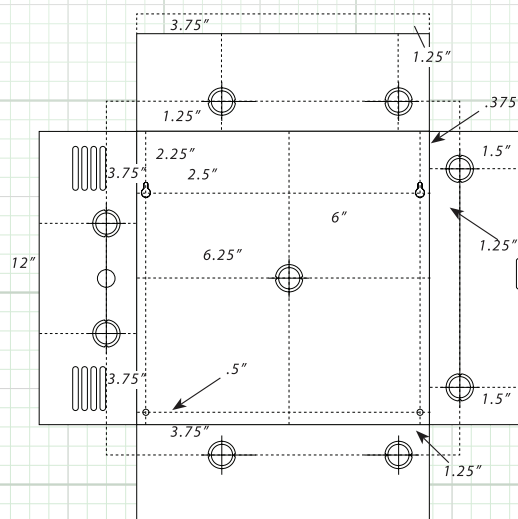
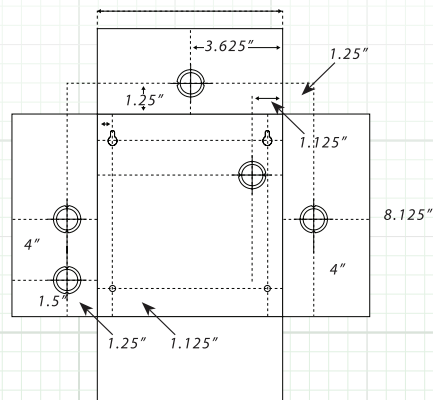
- 1x Power Cord
- 1x Key Lock Assembly
- 2x Keys



AC411UL
AC811UL



AC421UL
AC821UL
AC1621UL
AC1641UL



| SPECIFICATION | AC411UL | AC421UL | AC811UL | AC821UL | AC1621UL | AC1641UL |
|-----------------------------|---------------------|-----------------------|--------------------|-----------------------|-----------------------|-----------------------|
| Input Current | 115VAC 50/60Hz | | | | | |
| Output Voltage | 24 VAC | | | | | |
| Total Output Current | 4 amp | 8 amp | 4 amp | 8 amp | 8 amp | 16 amp |
| Output Current per Channel | 1 amp | 2 amp | 500mA | 1 amp | 500mA | 1 amp |
| Number of Outputs | 4 | 4 | 8 | 8 | 16 | 16 |
| Output Protection | Fused | | | | | |
| Output Fuse Rating | 3.5 amp Per Channel | | | | | |
| AC/DC LED Power Indicator | Yes | | | | | |
| UL Listing | Yes | | | | | |
| 1/2" - 3/4" Combo Knockouts | Yes | | | | | |
| Keylock (Included) | Yes with 2 Keys | | | | | |
| Cabinet Material / Color | Metal / Beige | | | | | |
| Cabinet Dimensions | 7.6" x 8.3" x 3.5" | 12.4" x 12.25" x 4.1" | 7.6" x 8.3" x 3.5" | 12.4" x 12.25" x 4.1" | 12.4" x 12.25" x 4.1" | 12.4" x 12.25" x 4.1" |

Note: Specification subject to change without notice